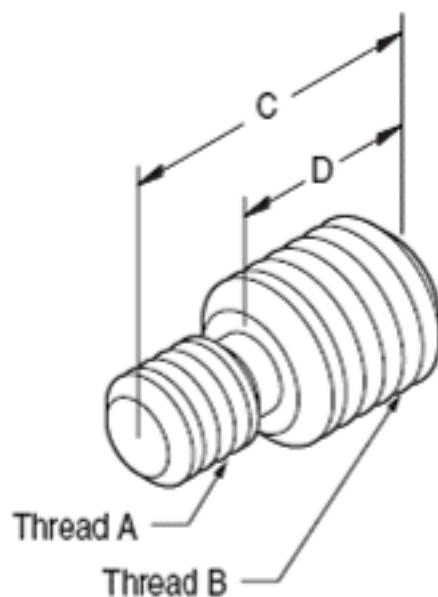


## Thread adapters



Model	Thread A	Thread B	C	D
M4TM6	M4	M6	.45	.25
832TM6	8-32	M6	.45	.25
832TQ20	8-32	1/4-20	.45	.25
M4TQ20	M4	1/4-20	.45	.25
832TM4	M4	8-32	.40	.18
M6TQ20	M6	1/4-20	.50	.25

## Q20T832i

