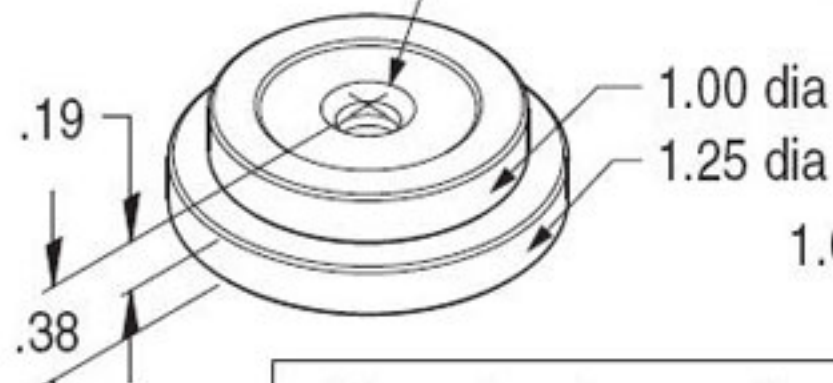
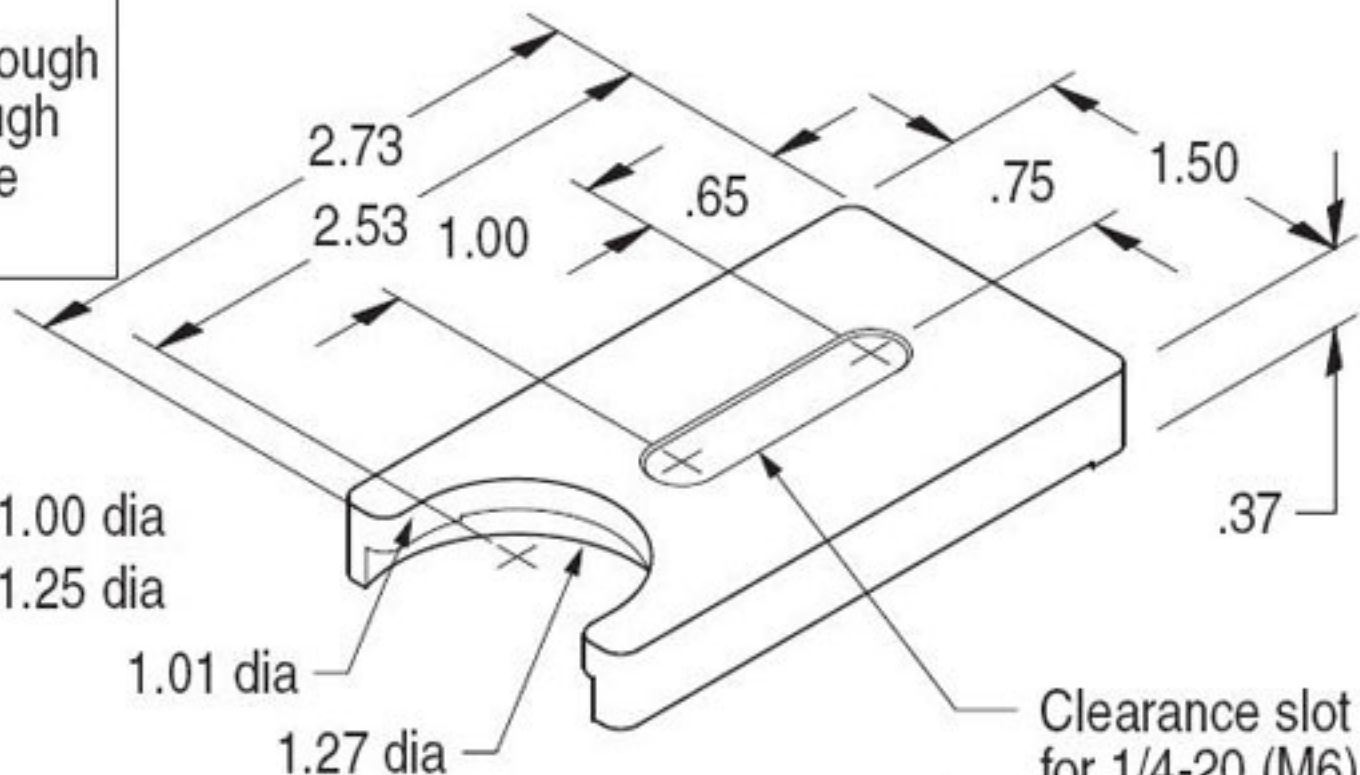


ADAPTERS

Model	Mounting Feature
TC-A1	1/4-20 (M6) thread through
TC-A2	8-32 (M4) thread through
TC-A3	1/4-20 or M6 clearance
TC-A4	8-32 or M4 clearance



PEDESTAL CLAMP



Clearance slot for 1/4-20 (M6) cap screw

Dimensions in parentheses reflect metric assembly features