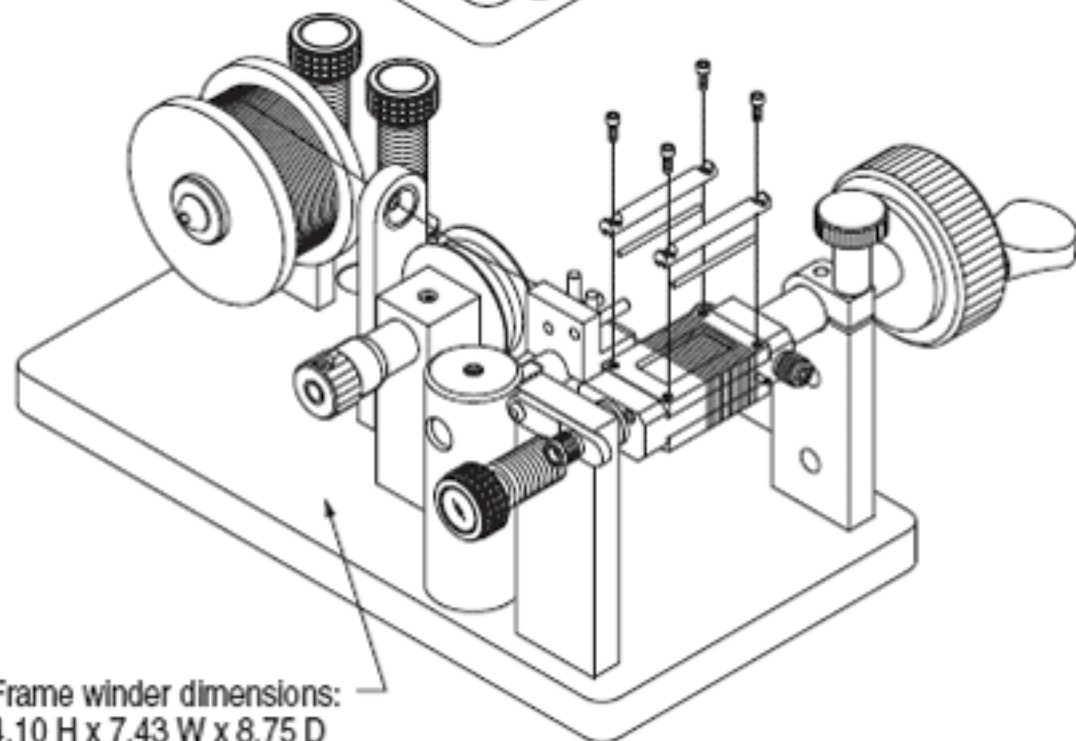


Tissue slicer dimensions:
7.94 H x 5.00 W x 4.12 D



Frame winder dimensions:
4.10 H x 7.43 W x 8.75 D