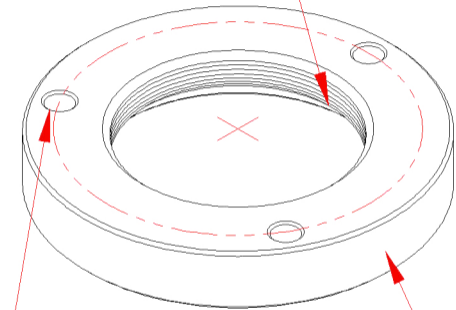


1 7/16-20 THREAD



Ø.172 THROUGH HOLE,
3 PLACES ON A
Ø2.00 BOLT CIRCLE

Ø2.34 x
.375 THICK