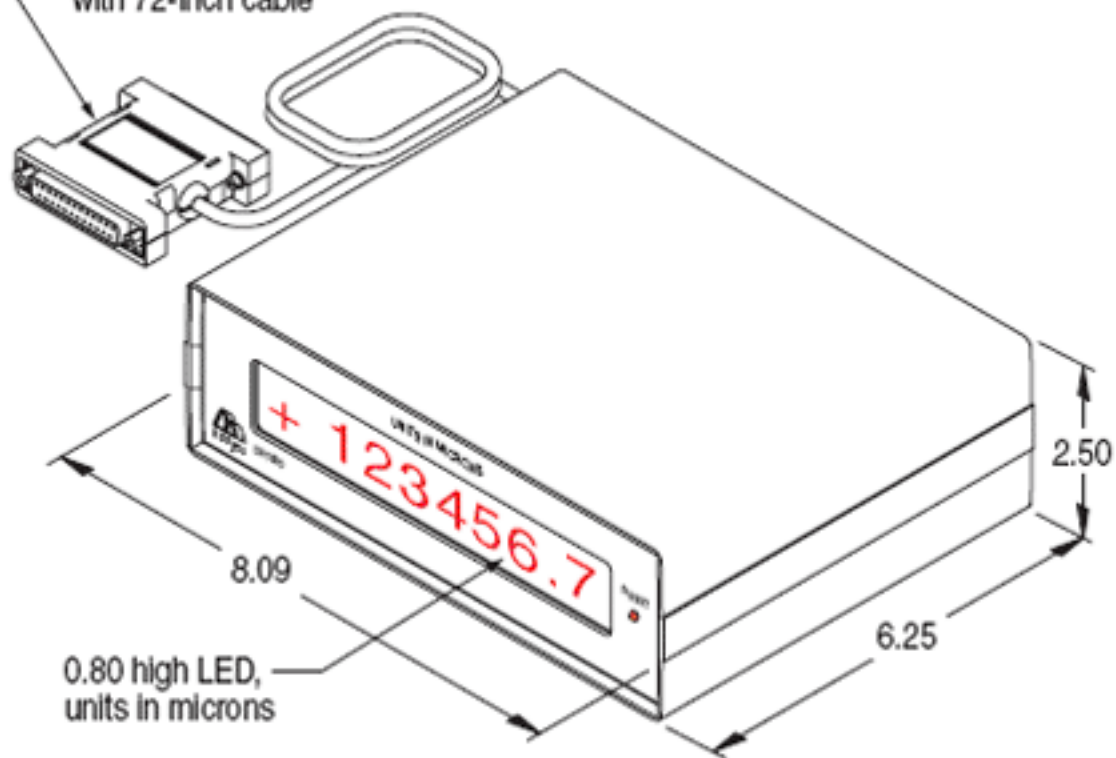


25 pin interface connector
with 72-inch cable



0.80 high LED,
units in microns