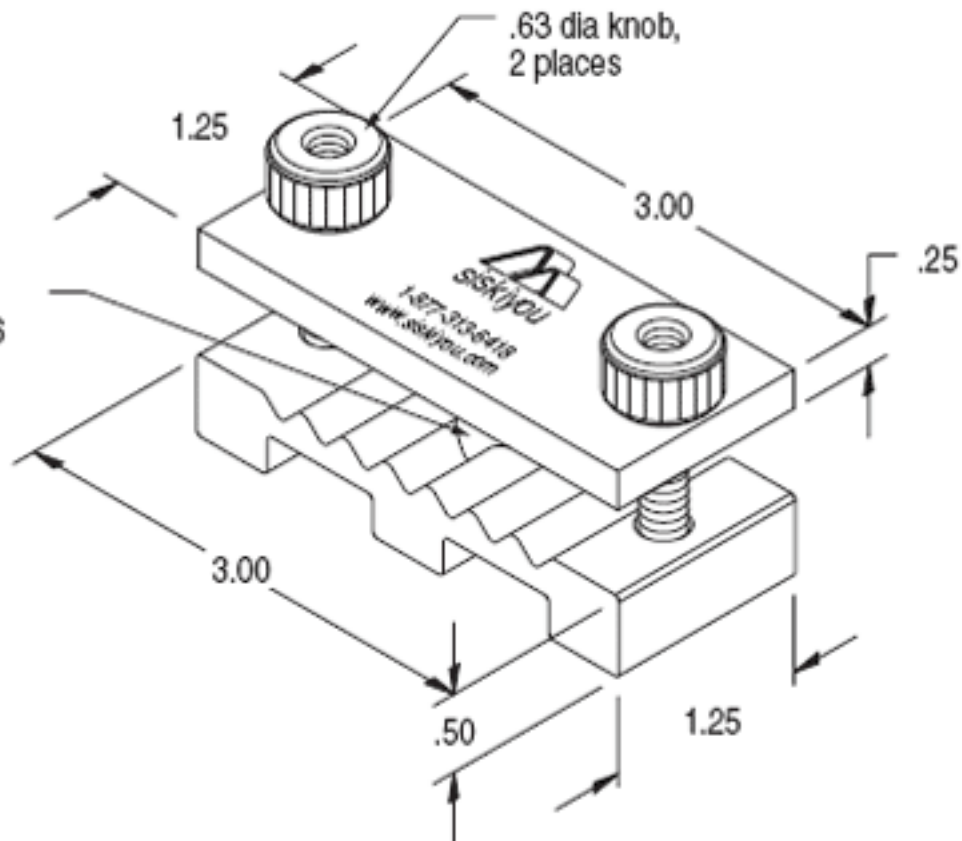


CC-BD

Clearance hole
for 1/4-20 or M6
cap screw



CC-MG

