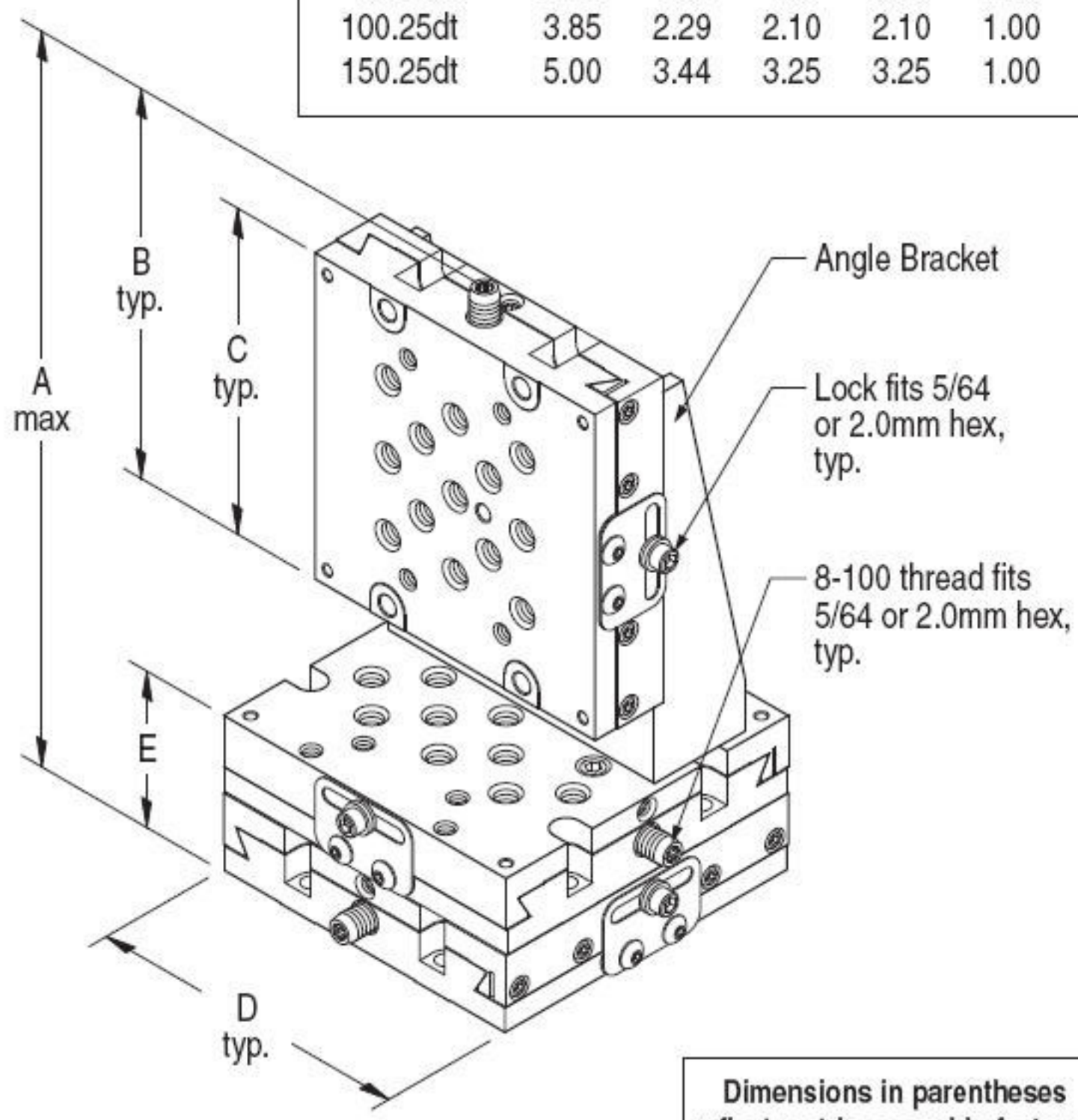


Typical Assembly

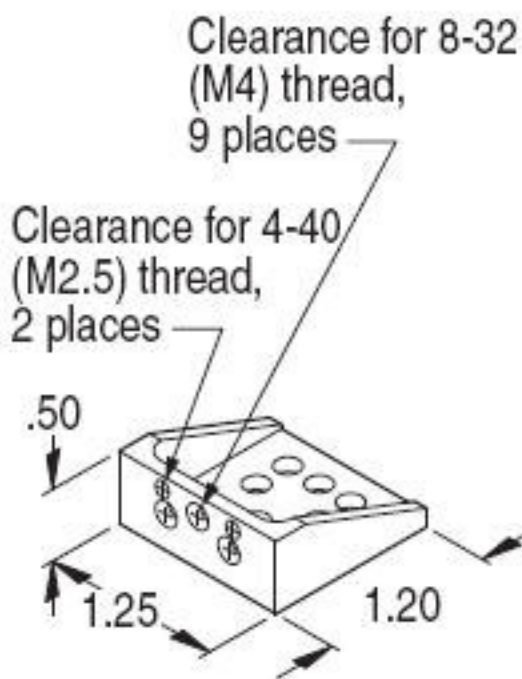
Model	A	B	C	D	E
50.25dt	2.82	1.49	1.30	1.30	1.00
100.25dt	3.85	2.29	2.10	2.10	1.00
150.25dt	5.00	3.44	3.25	3.25	1.00



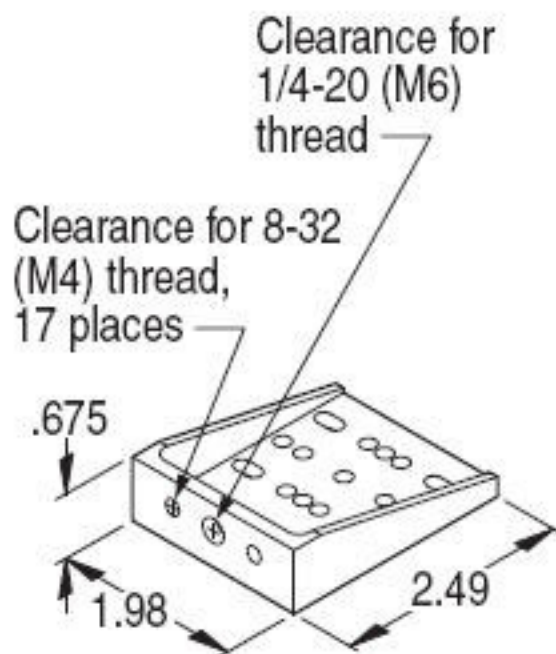
Dimensions in parentheses reflect metric assembly features

Angle Bracket

50ab



100ab



150ab

