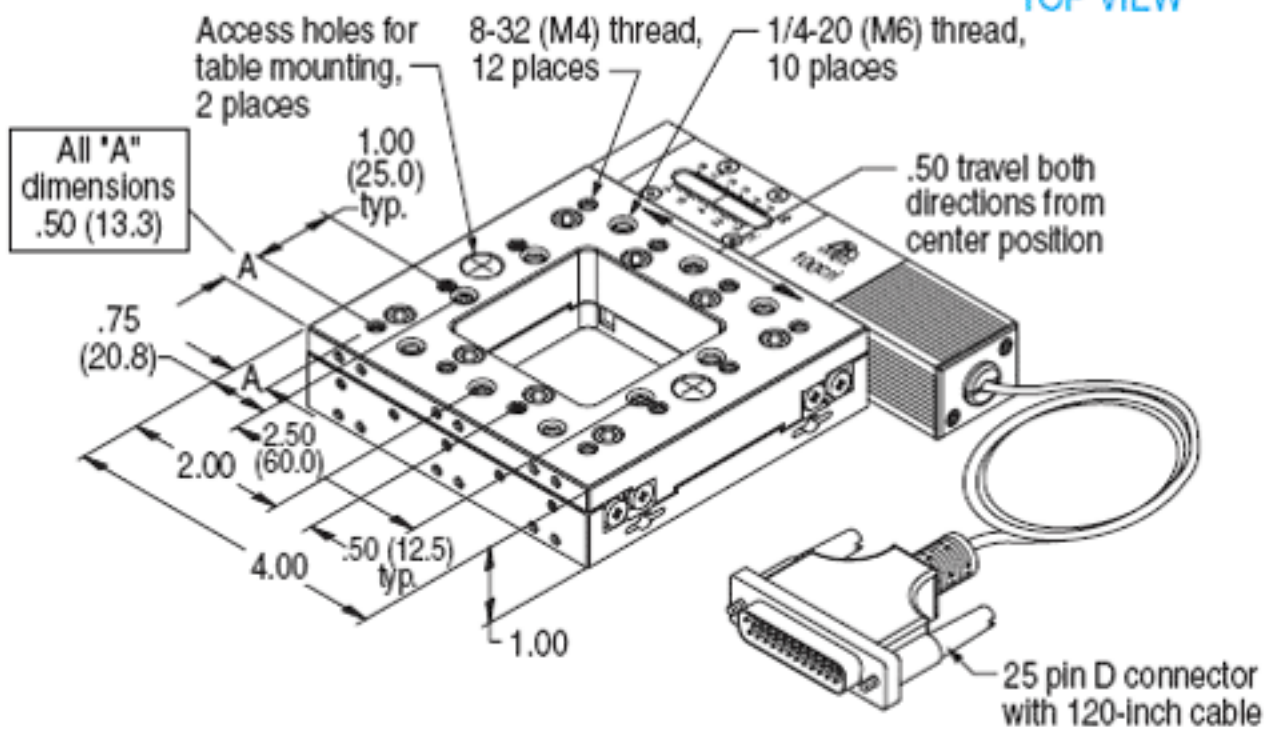
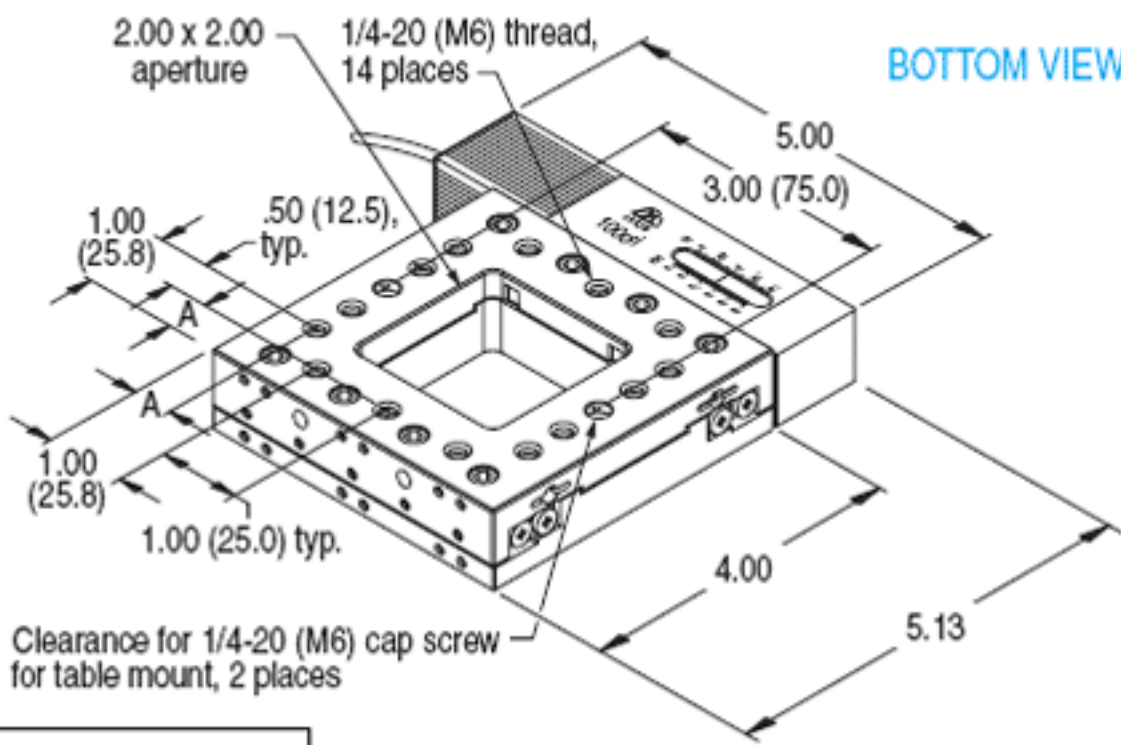


TOP VIEW



BOTTOM VIEW



Dimensions in parentheses reflect metric assembly features