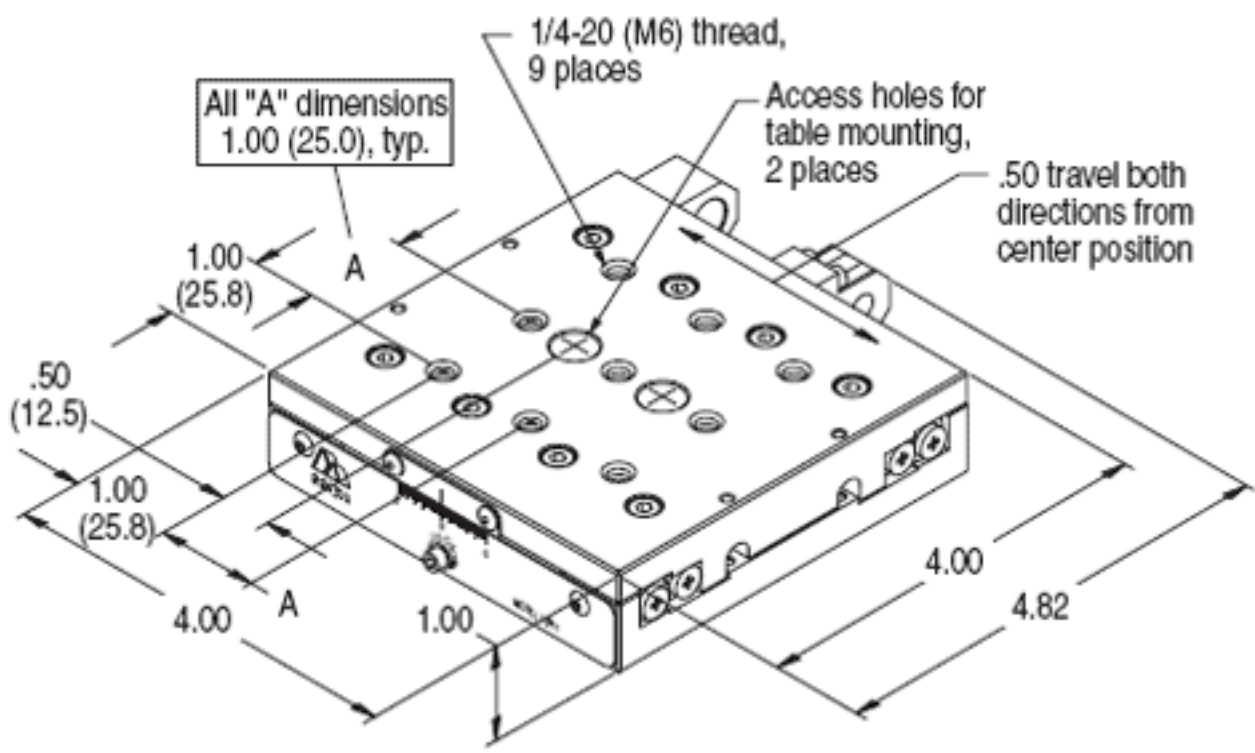
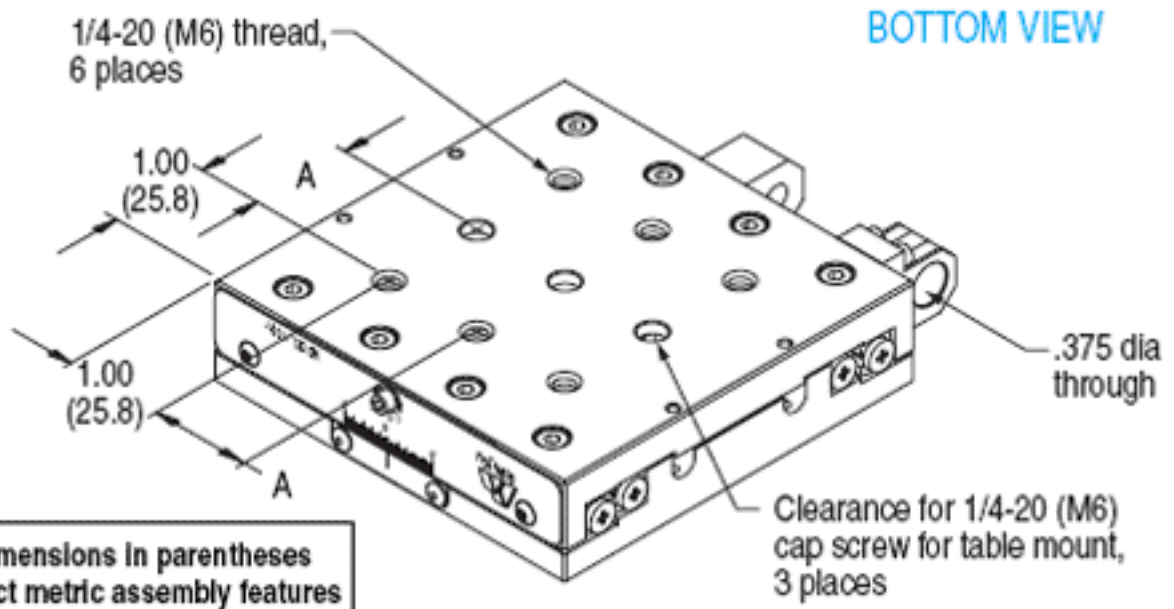


# TOP VIEW



# BOTTOM VIEW



Dimensions in parentheses reflect metric assembly features